



GrowSphere™ Catalogue

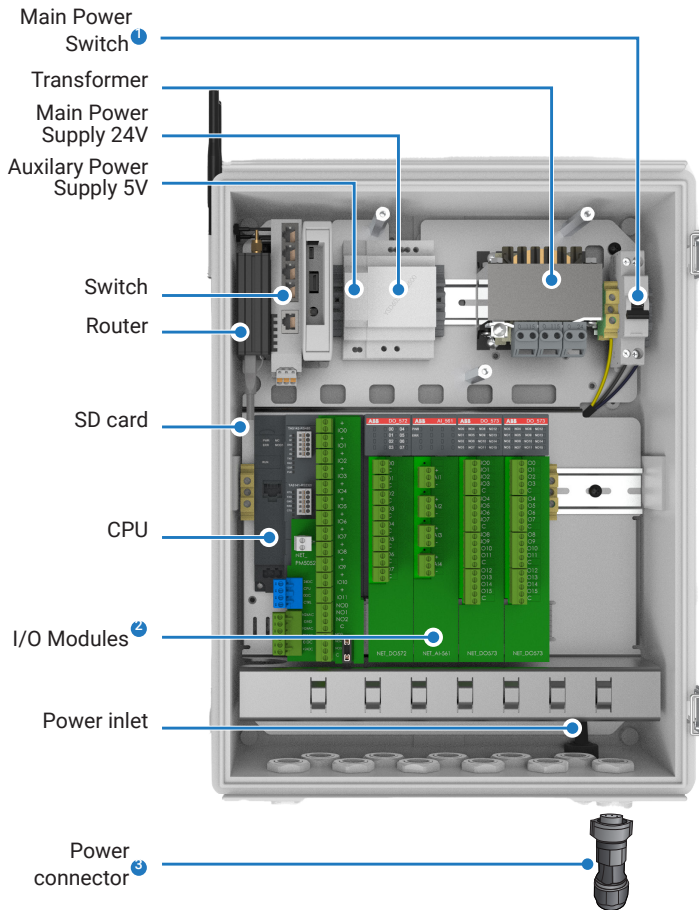
V1.3 – April 2024, South Africa

/GrowSphere™ MAX

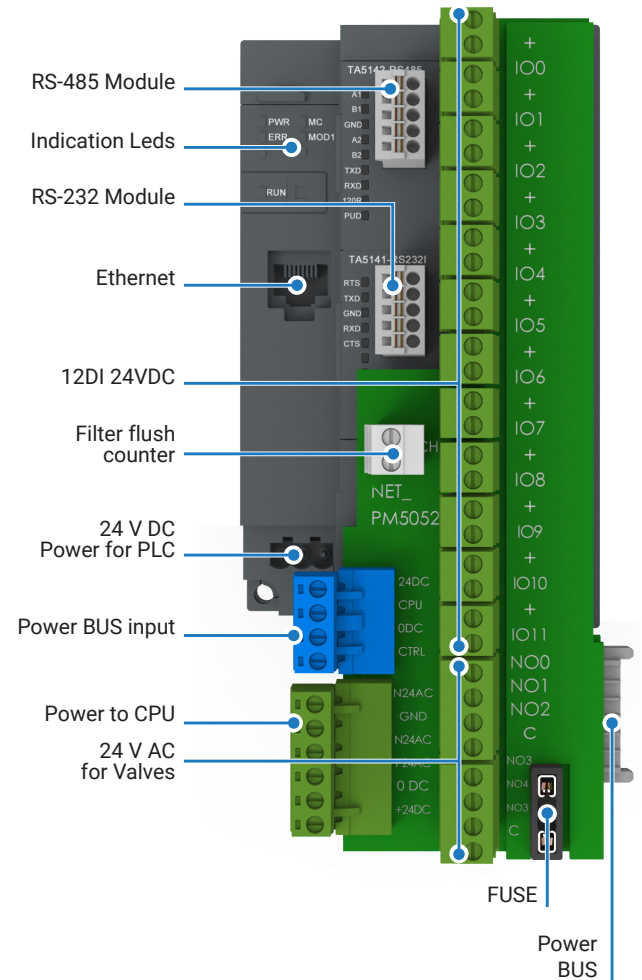
GrowSphere™ MAX is an intuitive and simple-to-use controller designed to help you grow more with less. GrowSphere™ MAX regulates water and fertilizer delivery in a precision irrigation system, activating local and remote devices such as pumps, valves, filters, dosing pumps, and other hydraulic components. This ensures crops receive the optimal amount of water and nutrients at all times.

/Internal Design

/GrowSphere™ MAX



/CPU



- ① Switches the main power on and off
- ② Enable connecting the peripheral components
- ③ You can find the connector in the accessories box
- * Subject to product configuration






CATALOGUE NUMBER	DESCRIPTION
74702-000069	GS-MAX Controller 220V-6DO-12DI GrowSphere™ MAX 220V, 6 Digital Outputs, and 12 Digital Inputs

/Expansion Modules

CATALOGUE NUMBER	DESCRIPTION	CATALOGUE NUMBER	DESCRIPTION
74743-000098	GS-MAX 16 RELAY WITH ADAPTOR <ul style="list-style-type: none"> • 16 Outputs - Relay • Shared Common • Kickback protection • 24 VAC @ 80 VA 	74743-000099	GS-MAX 8 TRIAC WITH ADAPTOR <ul style="list-style-type: none"> • 8 x 24VAC output • High-speed operation of the dosing output
74743-000100	GS-MAX 4 AI WITH ADAPTOR <ul style="list-style-type: none"> • 4 Analog Inputs • Active/ Passive Sensor • 0-20 mA • Feed Voltage – 24 DC 	74743-000101	GS-MAX 16 DI WITH ADAPTOR <ul style="list-style-type: none"> • 16 Digital Inputs • Dry/ Active Contact • Feed voltage - 24 DC

PRODUCT IMAGE	CATALOGUE NUMBER	DESCRIPTION
	74702-000077	ALUMINUM STAND FOR GS-MAX STAND ALONE The stand is for use with the GrowSphere™ MAX controller as a stand-alone i.e., when the controller is not connected to FertiKit™
	74741-000100	MOBILE SMA ANTENNA - PR1US440 The mobile antenna is connected externally to improve the communication between the controller and the cloud
	74743-000005	Power supply 60W, DIN Rail, Single 24V DC 5V DC power supply for modem, router, switch, and screen
	74743-000014	GS-MAX RS232 SERIAL PORT ISOLATED BOARD The RS 232 Serial port connects the SingleNet, NetRTU, and Davis weather station to the GrowSphere™ MAX
	74743-000017	GS-MAX RS485 SERIAL PORT ISOLATED BOARD The RS 485 Serial port connects the RadioNet and the SingleNet base units to the GrowSphere™ MAX
	74743-000144	POWER SUPPLY,15W- 5V, ULTRA SLIM, DIN RAIL 5V DC power supply for Gateways and Davis weather station
	74743-000155	ANTENNA 2.4G-5G SMA-RP SY2400 The WiFi antenna is connected to the cellular modem allowing connection to the controller via WiFi

CLIMATE SENSORS		
PRODUCT IMAGE	CATALOGUE NUMBER	DESCRIPTION
	74730-000050	<p>DAVIS WS GROWSPHERE DIRECT FULL PACK</p> <p>Everything you need in order to connect a station directly to GrowSphere MAX: station, the envoy, and the connection from the envoy.</p> <p>Additional catalogue numbers are available on request for spare parts and packages for the GrowSphere Max that can access the Davis Weather Station through the cloud.</p>
	74703-000002	<p>MAX MEASURING BOX SE TEMP & HUMIDITY</p> <p>Outside temperature and humidity sensor for the GrowSphere MAX. A 4-core shielded wired connection to the analog input module.</p>
TRANSMITTER KIT		
	74360-007901	<p>ABB AWT 420 EC/pH TRANSMITTER, PANEL MOUNT/WALL MOUNT (TRANSMITTER ONLY)</p> <p>This EC/pH transmitter is compatible with the new ABB EC/pH sensors. Through re-configuring, it is also compatible with the old EC/pH sensors. The EC/pH transmitter comes standard with a EC and a pH module, that is replaceable and exchangeable.</p>
	74360 007970	EC MODULE REPLACEMENT FOR AWT 420
	74360 007971	pH MODULE REPLACEMENT FOR AWT 420
EC AND pH SENSORS		
	74360-000004	<p>ABB pH SENSOR APS110</p> <p>pH sensor for the ABB AWT420 EC/pH transmitter.</p>
	74360-000005	<p>ABB EC SENSOR CS150</p> <p>EC sensor for the ABB AWT420 EC/pH transmitter.</p>
	33140-000004	<p>PVC UNION ADAPTOR FOR ABB SENSOR</p> <p>Adaptor fitting for the ABB EC and pH sensors. The adaptor is slightly longer to accommodate the longer ABB EC and pH sensors. This adaptor can also be used with previous EC and pH sensors.</p>