

# ARAD™ Multi-Jet™

Simple & reliable multi-jet meters, designed for accurate measurement of low flows.



MODEL M 15 - 50 mm



Light



Precise



Reliable

## Benefits & Features

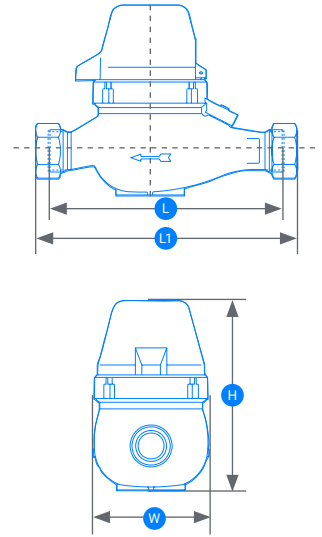
- ✓ Starting to measure in very low flows
- ✓ Optional hot water version and polymer version
- ✓ All outputs are volumetric dry contact

## Specifications & Recommendations

- **Maximum Working Pressure:** 100 m
- **Maximum Working Temperature:** 50°C, 90°C - for hot water
- The meter should be installed in horizontal position dial face up
- Pipeline must be flushed before installation
- The meter should be constantly full of water

## → TECHNICAL DIMENSIONS

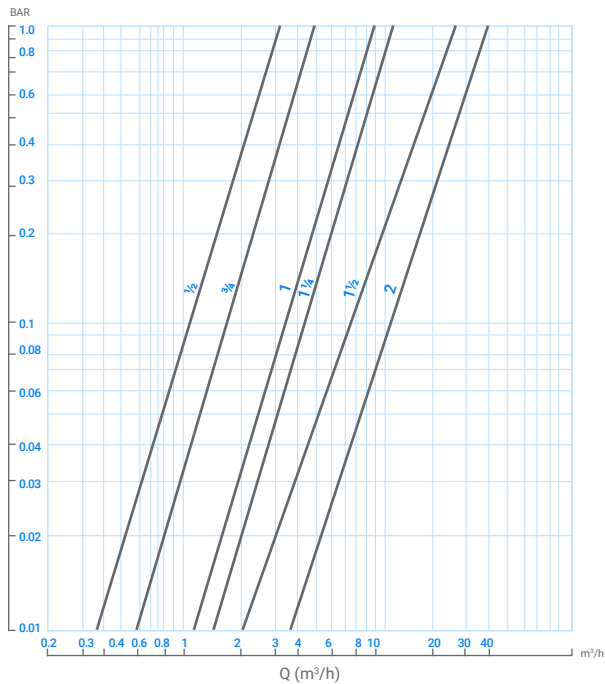
MODEL		M15 (SHORT)	M20	M25	M32	MS40	MS50
DIAMETER	MM	15	20	25	30	40	50
L - LENGTH WITHOUT COUPLINGS (MM)		165	190	260	260	300	300
L1 - LENGTH WITH COUPLINGS (MM)		260	285	375	375	435	460
W - WIDTH (MM)		95	95	105	105	125	160
H - HEIGHT (MM)		102	108	108	108	140	190
WEIGHT (KG)		1.5	2	2.8	2.8	4.1	8
WEIGHT WITH COUPLINGS (KG)		1.7	2.3	3.3	3.45	5.1	9.4
WEIGHT (PLASTIC BODY) (KG)		0.55	0.6	0.65	0.66	-	-



## → PERFORMANCE DATA

MODEL	NOMINAL SIZE (MM)	Q1 MINIMUM FLOWRATE (M <sup>3</sup> /H)	Q2 TRANSITIONAL FLOWRATE (M <sup>3</sup> /H)	Q3 NOMINAL FLOWRATE (M <sup>3</sup> /H)	Q4 MAXIMUM FLOWRATE (M <sup>3</sup> /H)	R Q3/ Q1	INDICATING RANGE (M <sup>3</sup> /H)	ACCURACY BETWEEN Q4 & Q2	ACCURACY BETWEEN Q2 & Q1
M15	15	0.032	0.051	1.6	2	50	999.999	±2%	±5%
M20	20	0.050	0.080	2.5	3.125	50			
M25	25	0.080	0.128	4	5	50			
MS40	40	0.100	0.160	10	12.5	100			
MS50	50	0.320	0.512	16	20	50			

## → HEAD LOSS



\* Additional pulse resolutions available upon request

\*\* Catalog numbers referring to metal Multi-Jets